

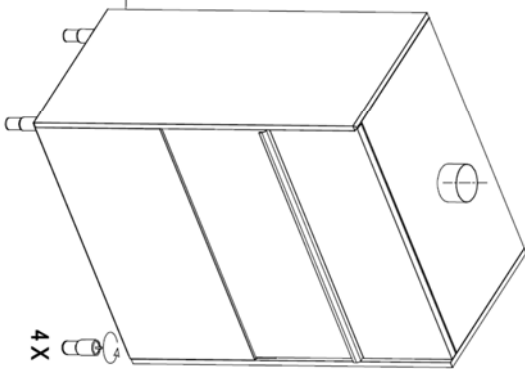
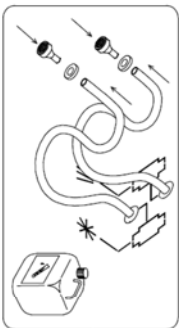
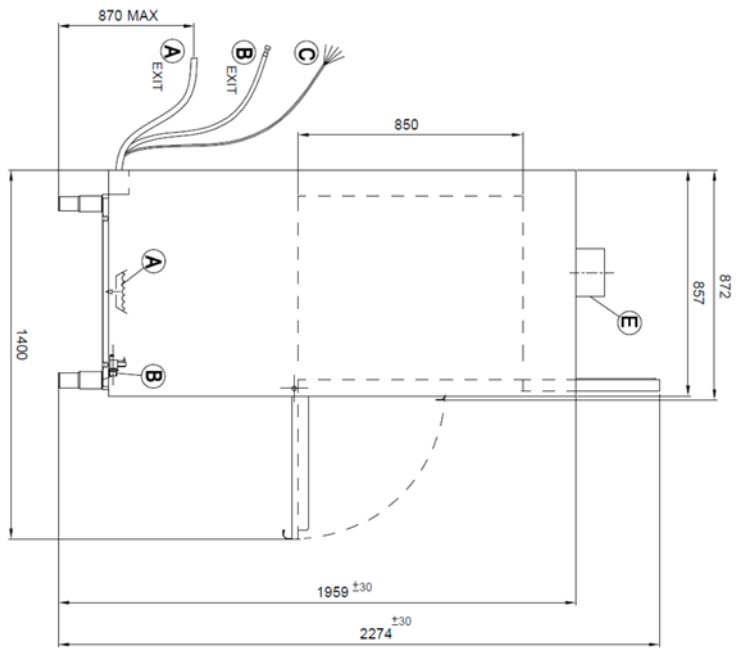
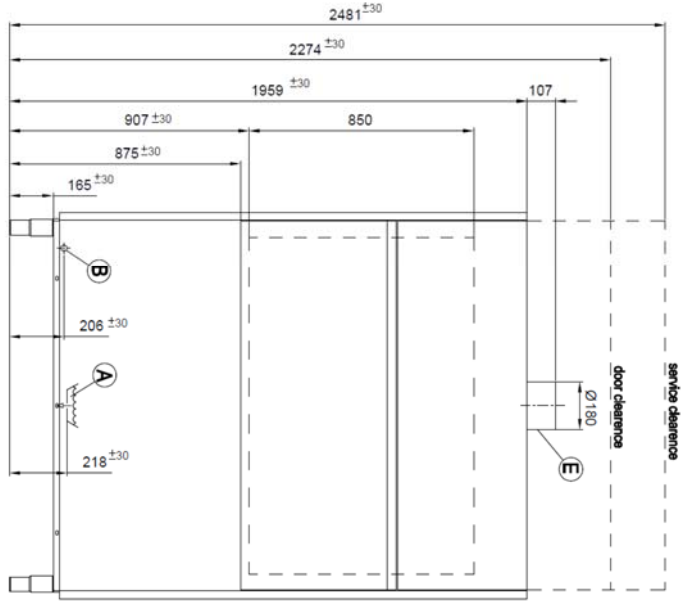
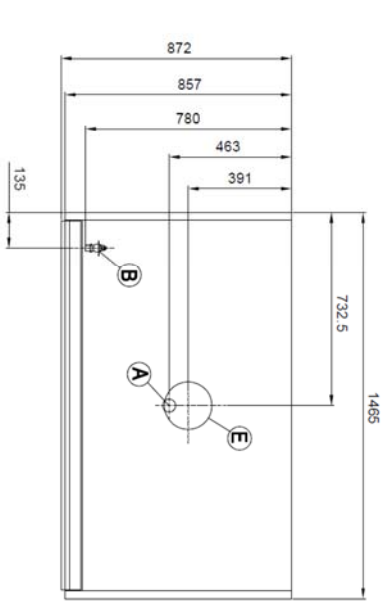


↓	Model	LP85132	
	Code Production	new	
Interface :			



↕	Overall Dimension (Width-Depth-Height) *open	<i>mm</i>	1465x857(*1400)x1959(*2274)
	Packaging Dimension (WxDxH)	<i>mm</i>	1750x1100x2200
	Gross weight	<i>Kg</i>	317
	Net weight	<i>Kg</i>	301
	Volume	<i>mc</i>	3,85
□	Rack size	<i>mm</i>	1320x700
	Max door /hood opening	<i>mm</i>	850
	Max glasses/plate Height	<i>mm</i>	800
	General construction		double skin
	Door/hood Construction		double skin
↘	Tank construction		fully deep drawn
	Tank volume	<i>liter</i>	131
	Tank heating element	<i>W</i>	10.500
	Tank surface strainers		stainless steel
⚙️	Wash pump type		double flow
	Wash pump power	<i>W</i>	2 X 2.700
	Wash temperature	<i>°C</i>	55 (55-65)
↘	Boiler type		without pressure
	Boiler volume	<i>liter</i>	17
	Back-flow system		break tank
	Boiler heating element	<i>W</i>	9.500
⚙️	Rinse booster pump		yes
	Rinse booster pump power	<i>W</i>	200 x 2
	Rinse temperature	<i>°C</i>	80 (80-85)
	Rinse water consumption	<i>Liter /rack</i>	6
	Optimal external water pressure	<i>bar</i>	1 - 6
🚰	Drain system		deep drain
	Drain filter		double filter
	Drain pump		standard built in
▶	Rinse aid dispenser		YES
	Detergent dispenser		YES
👤/👤	Wash cycle	<i>sec</i>	120 - 240 - 360 - 720
	Special cycle	<i>programs</i>	n°6
	Self cleaning cycle		YES
⚡	Electric Power	<i>W</i>	14.900
	Electric Connection	<i>V - ph - Hz</i>	400V 3N 50Hz
	Fuse	<i>A</i>	32
▶	Steel generic basket		43305
	Electric cable		YES
	Drain hose		YES
	Fill hose		YES

A		50mm M	A		A EXIT		32 mm M
B		G 3/4" M	B		B EXIT		G 3/4" F
C		Power supply	E		Steam exhaust		



Installation layout
 MUFERL
 Date: 12/10/2018
 Denominazione: Utensil washer , Drain Pump
 Code: LP7SP 00
 Rev.: